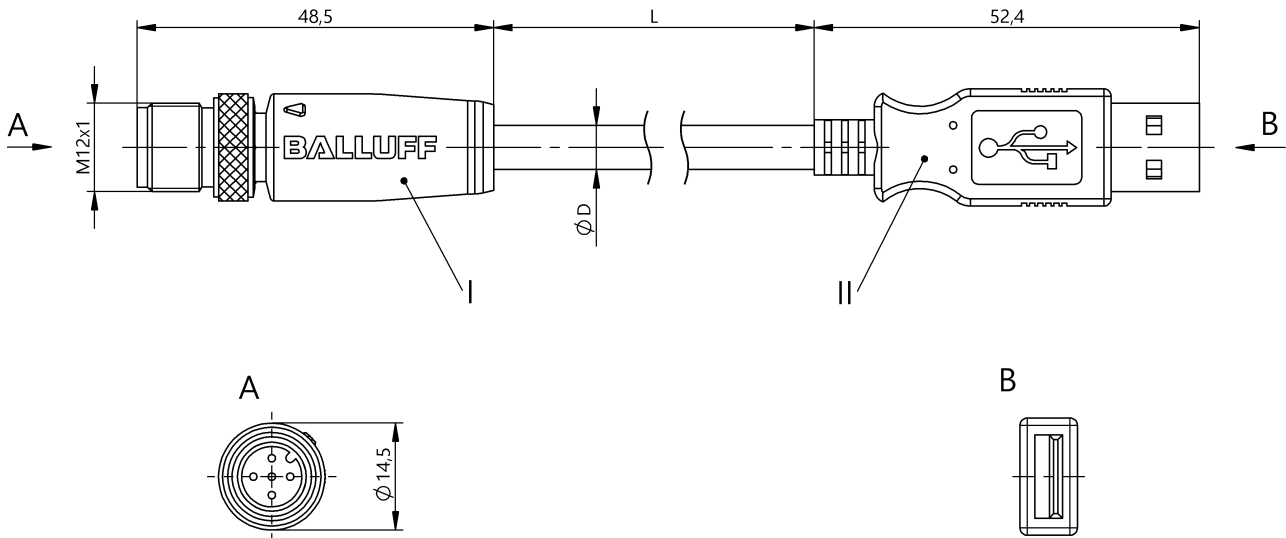


Double-Ended Cordsets

BCC M415-U024-8F-725-VS04T4-028

Order Code: BCC0L1L

BALLUFF



Basic features

Approval/Conformity	CE WEEE
---------------------	------------

Electrical connection

Cable	PVC Shielded black, 2.8 m
Cable diameter D	5.10 mm ±0.20 mm
Conductor cross-section	24 AWG
Connection 1	M12x1-Male, straight, 5-pin, A-coded
Connection 2	USB-A-Male, straight, 4-pin
Number of conductors	4
System	Molded/Molded

Electrical data

Operating voltage U _b	30 VAC
----------------------------------	--------

Environmental conditions

Cable temperature, fixed routing	-40...105 °C
Cable temperature, flexible routing	-5...105 °C
IP rating	IP67/IP20

Material

Cable jacket material, note	Shielded
Cable jacket, material	PVC
Cable shield	Copper braid, tin-plated
Material contact carrier	PUR/PBT
Material contacts	Brass
Material cover nut	Die-cast zinc
Material grip	PUR/PVC

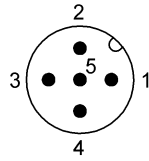
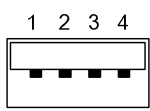
Mechanical data

Cable jacket, color	black
Cable length L	2.80 m
Tightening torque pigtail	0.6 Nm/-

Remarks

AIDA conformal
Enclosure rating per IEC 60529 or ISO 20653, only in screwed state with the associated mating piece.

Connector Drawings



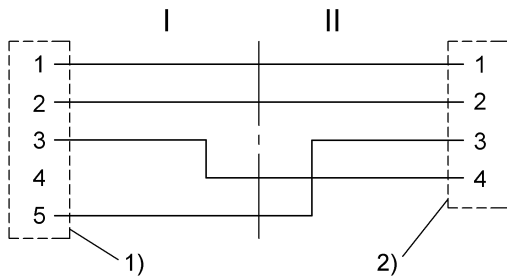
II

- PIN 1: red
- PIN 2: white
- PIN 3: green
- PIN 4: black

I

- PIN 1: red
- PIN 2: white
- PIN 3: black
- PIN 4: not used
- PIN 5: green

Wiring Diagrams



- 1) Shield on cover nut
- 2) Shield on housing